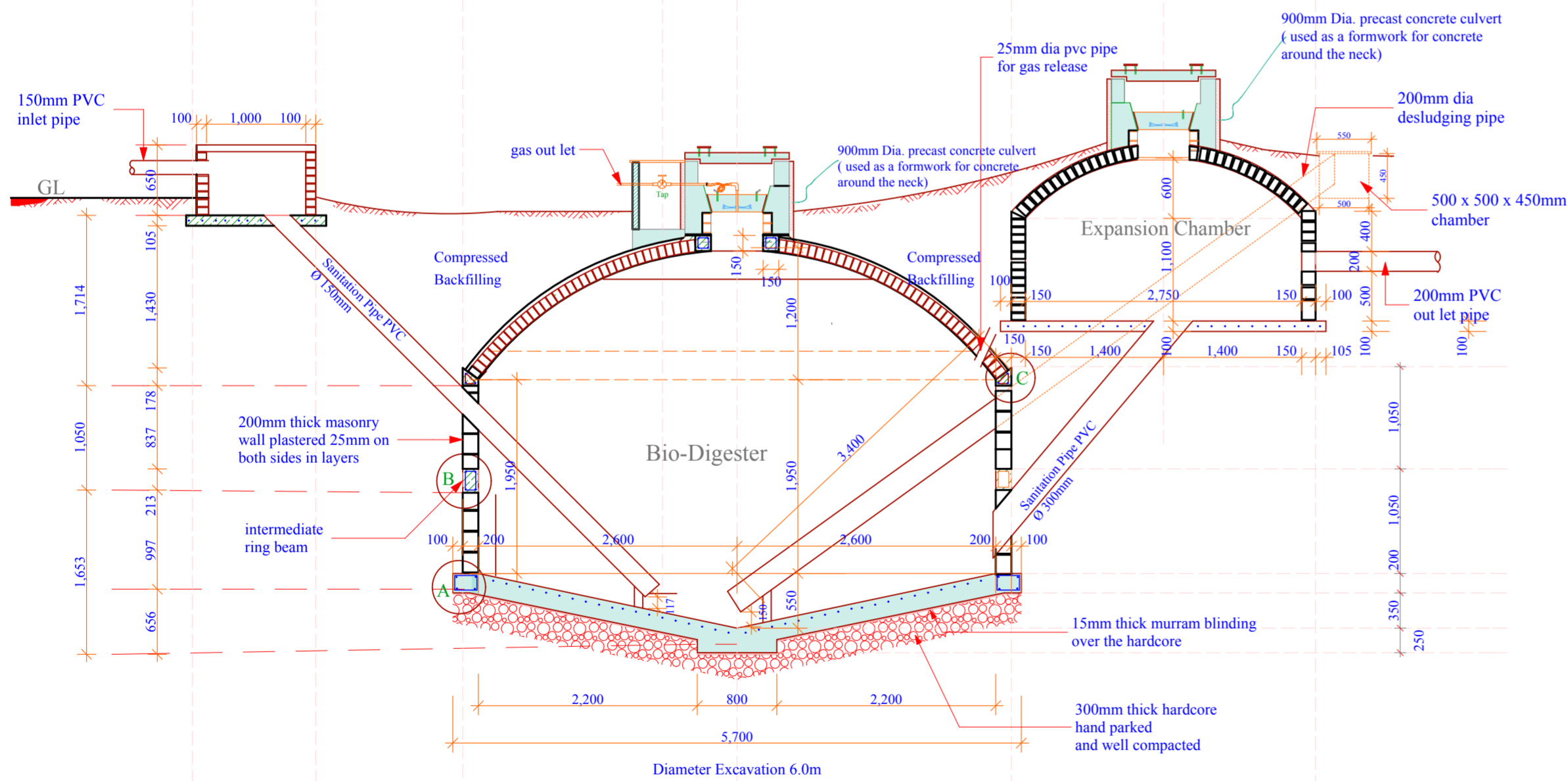
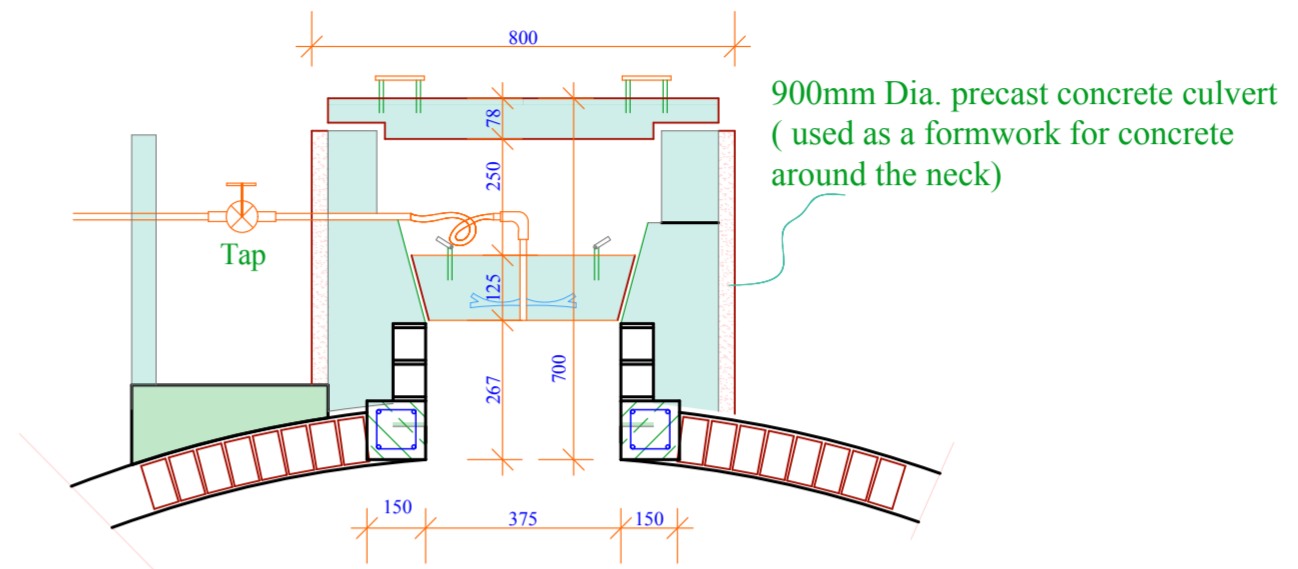
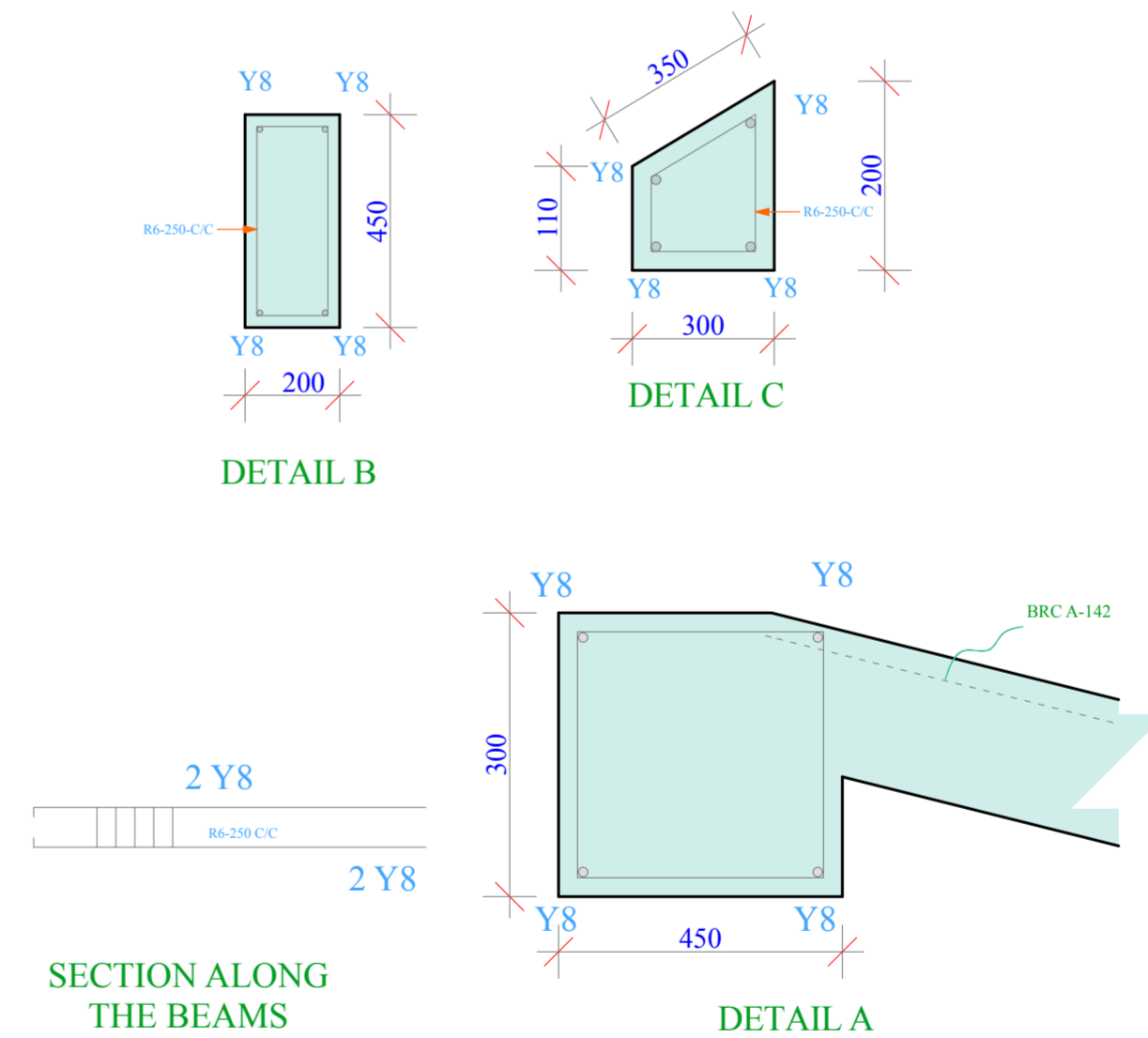


Fixed Dome Biogas Plant Volume 50 m<sup>3</sup>  
Plan



Fixed Dome Biogas Plant Volume 50 m<sup>3</sup>  
Cross Section A-A



SECTION ALONG THE BEAMS

STRUCTURAL DETAILS

**NOTES**

**GENERAL**

All dimensions are shown in mm unless otherwise specified. Drawings are not to be scaled. Only figured dimensions to be used. The Contractor must check and verify all dimensions on site before commencement of any work.

**CONSTRUCTION**

All slabs at ground level to be poured over 1000 gauge polythene sheeting on 50mm thick murrum blinding on hardcore. All soil under slabs and around external foundations to be poisoned for termite control.

**CIVIL**

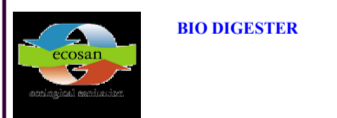
All soils on cut embankments to be stabilized. The slope not to exceed the natural angle of repose.

**STRUCTURAL**

All soils on cut embankments to be stabilized. The slope not to exceed paved surfaces. For all R.C. work, refer to Structural Engineer's details.

**Revisions**

EU-GTZ EcoSan PROMOTION PROJECT  
Contract No. 9ACP RPR 39/68



Project Consultant: Edward K. Kang'u  
P.O. Box. 31710 00600  
Nairobi / Kenya  
Tel 0723 - 318145

Drawing title:  
**50 C. M. BIO DIGESTER**

Approved by: EcoSan Project Manager	scale: 1:50 1:20
<b>Hagen von Bloh</b>	date: September 2008
Signature:.....	Job no. GTZ 02/08
	Sheet no. <b>01</b>